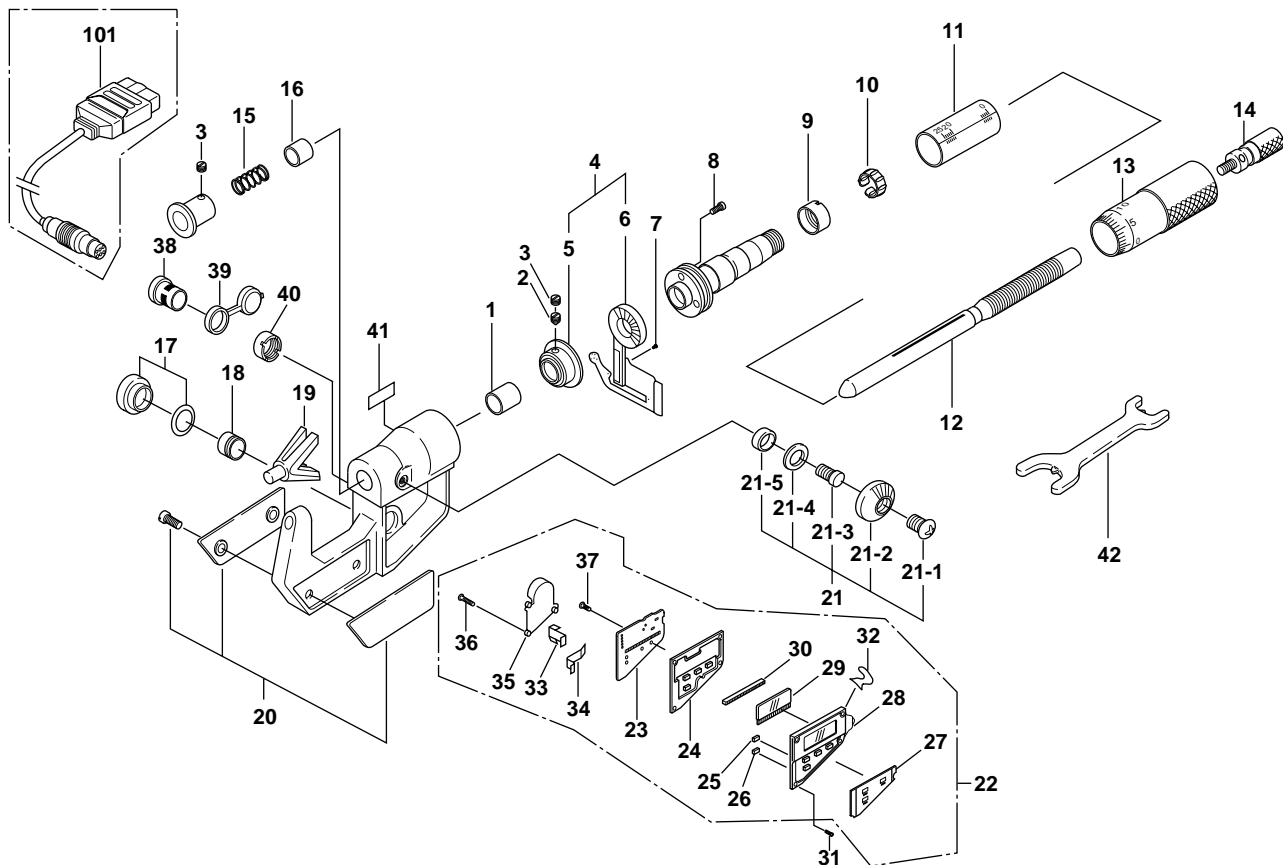


**DIGIMATIC V-ANVIL
MICROMETERS
Series 314**

Ref. No. 314-4-1992-OCT-1/2

**314シリーズ(VM3-DM)
デジマチックV溝(3ッ溝)
マイクロメータ**



| KEY NO. | PART NAME | CODE NO. コードNo. | | ブヒンメイ | キー No. | |
|---------|--------------|------------------------|----------------------------|------------|--------|------|
| | | 314-511 (VM3-15DM) | 314-711-10 (VM3-.6"DM) | | | |
| | | 314-521 (VM3-15PDM) | 314-721-10 (VM3-.6"PDM) | | | |
| 1 | CLAMP COLLAR | | 305458 | クランプカラー | 1 | |
| 2 | KEY SCREW | | 304055 | キービス | 2 | |
| 3 | SETSCREW | | 201193 | スリワリツキトメネジ | 3 | |
| 4 | DETECTOR | | 981937 | ケンシュツ | 4 | |
| 5 | ROTOR ASS'Y | | 981924 | ロータクミタテ | 5 | |
| 6 | STATOR ASS'Y | | 981923 | ステータクミタテ | 6 | |
| 7 | SETSCREW | | 304456 | ナベコネジ | 7 | |
| 8 | SETSCREW | | 305452 | ナベコネジ | 8 | |
| 9 | NUT ADJ. | | 200415 | ナット | 9 | |
| 10 | SPRING | | 305461 | バネリング | 10 | |
| 11 | OUTER SLEEVE | 307694 | | 307695 | 307695 | 11 |
| 12 | SPINDLE | 306635 | | 306636 | 306636 | 12 |
| 13 | THIMBLE | 305831 | | 305881 | 305881 | 13 |
| 14 | RATCHET SHOP | | 950700 | | | 14 |
| 15 | SPRING | | 305457 | | | 15 |
| 16 | COLLAR ADJ. | | 305456 | | | 16 |
| 17 | BATTERY LID | | 981292 | | | 17 |
| 18 | BATTERY SR44 | | 938882 | | | 18 |
| 19 | ANVIL | | 211064 | | | 19 |
| | ANVIL | | 307629 | | | 19 |
| 20 | COVER ASS'Y | 981878 | | 981880 | | 20 |
| 21 | CLAMP | | 981236 | | | 21 |
| 21-1 | SETSCREW | | 200424 | | | 21-1 |
| 21-2 | CLAMP HANDLE | | 204374 | | | 21-2 |
| 21-3 | CLAMP SCREW | | 305467 | | | 21-3 |

314 DIGIMATIC V-ANVIL
MICROMETERS
Series 314

Ref. No. 314-4-1992-OCT-1/2

314 314シリーズ(VM3-DM)
デジマチックV溝(3ッ溝)
マイクロメータ **314**