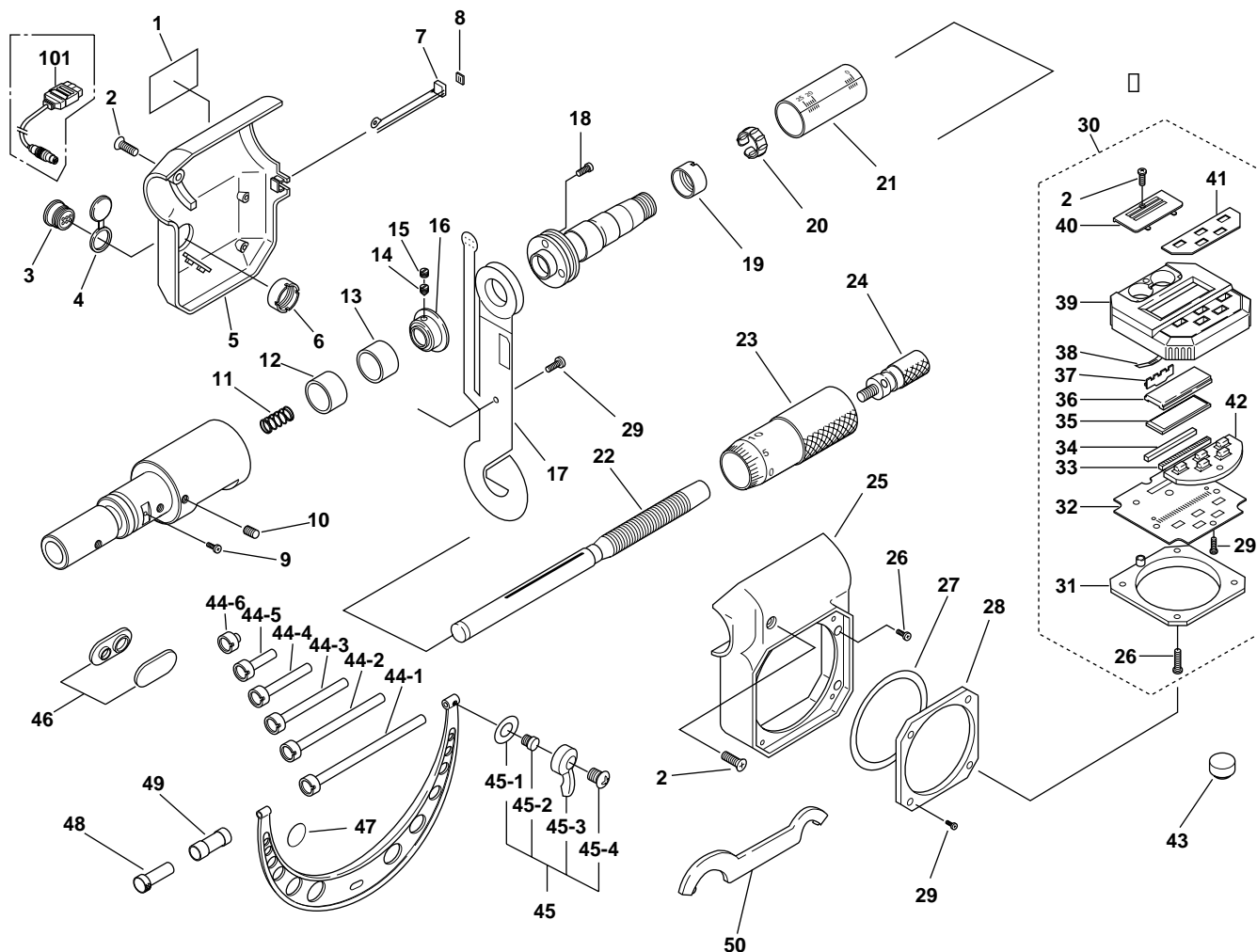


DIGIMATIC OUTSIDE MICROMETERS
Interchangeable Anvil Type
Series 340

Ref. No. 340-3-1992-OCT-3/3

340シリーズ(OMC-DM)
デジマチック替アンビル式
外側マイクロメータ



| KEY NO. | PART NAME | CODE NO. コードNo. | | | | | | | フビンメイ | キー No. |
|---------|------------------|------------------------|------------------------|------------------------|------------------------|------------------------|------------------------|-------------------------|----------------|--------|
| | | 340-513 (OMC-400DM) | 340-514 (OMC-500DM) | 340-515 (OMC-600DM) | 340-516 (OMC-700DM) | 340-517 (OMC-800DM) | 340-518 (OMC-900DM) | 340-519 (OMC-1000DM) | | |
| | | 340-713 (OMC-18"DM) | 340-714 (OMC-24"DM) | 340-715 (OMC-30"DM) | 340-716 (OMC-36"DM) | | | | | |
| 44-3 | No.3 | | | | 304001 | | | | No.3 | 44-3 |
| 44-4 | No.4 | | | | 304002 | | | | No.4 | 44-4 |
| 44-5 | No.5 | | | | 304003 | | | | No.5 | 44-5 |
| 44-6 | No.6 | | | | 304004 | | | | No.6 | 44-6 |
| | | | | | 980716 | | | | セット(No.3-No.6) | |
| | ANVIL(INCH) | | | | | | | | アンビル (インチ) | |
| 44-1 | No.1 | | | | 304005 | | | | No.1 | 44-1 |
| 44-2 | No.2 | | | | 304006 | | | | No.2 | 44-2 |
| 44-3 | No.3 | | | | 304007 | | | | No.3 | 44-3 |
| 44-4 | No.4 | | | | 304008 | | | | No.4 | 44-4 |
| 44-5 | No.5 | | | | 304009 | | | | No.5 | 44-5 |
| 44-6 | No.6 | | | | 304004 | | | | No.6 | 44-6 |
| | | | | | 980718 | | | | セット(No.1-No.6) | |
| 45 | CLAMP | | | | 950063 | | | | クランプミタテ | 45 |
| 45-1 | SPRING WASHER | | | | 200420 | | | | スプリングワッシャ | 45-1 |
| 45-2 | CLAMP SCREW | | | | 200422 | | | | クランプネジ | 45-2 |
| 45-3 | CLAMP HANDLE | | | | 200426 | | | | クランプハシュ | 45-3 |
| 45-4 | | | | | 200424 | | | | トメネジ | 45-4 |
| 46 | NAME PLATE | 982108 | 982109 | | | | | | ネームプレート | 46 |
| | NAME PLATE | 982110 | | | | | | | | |
| 47 | NAME PLATE | | | 307825 | 307826 | 307827 | 307828 | 307829 | ネームプレート | 47 |
| | NAME PLATE | | 307835 | 307836 | 307837 | | | | | |
| 48 | SCREW STOPPER | | | | 304011 | | | | シメツケネジ | 48 |
| 49 | BUSHING ANVIL | | | | 304010 | | | | アンビルブッシュ | 49 |
| 50 | SPANNER | | | | 200154 | | | | スパナ | 50 |
| | | | | | | | | | | |
| 101 | CONNECTING CABLE | | | | 937387(1m), 965013(2m) | | | | ヤツソクコード | 101 |

Ref. No. 340-3-1992-OCT-3/3

340 DIGIMATIC OUTSIDE MICROMETERS
Interchangeable Anvil Type, Series 340

340 シリーズ(OMC-DM)
デジマチック替アンビル式
外側マイクロメータ