

# Absolute High-Accuracy Digimatic Micrometer

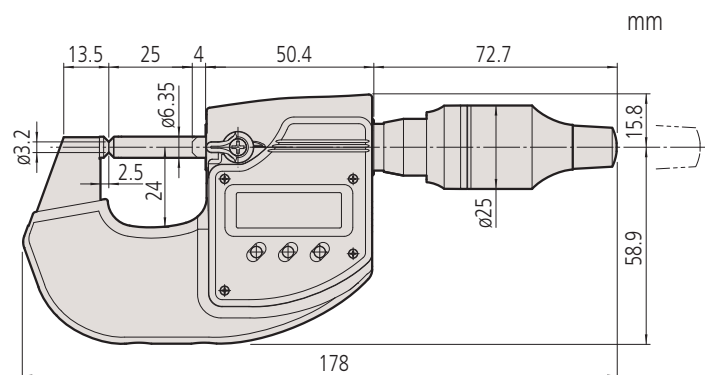
## Series 293

- Enabling 0.1 μm resolution measurement.
- The High-Accuracy Digimatic Micrometer utilizes Mitutoyo's innovative 0.1 μm resolution ABS (absolute) rotary sensor and high accuracy screw machining technology to reduce the instrumental error to 0.5 μm delivering higher accuracy without sacrificing operability.
- A highly rigid frame and high-performance constant-force mechanism enable more stable measurement.



High Accuracy Micrometer with heat insulating cover (standard accessory)

No.	Range	Digital step	Instrumental error	Power supply
293-100	0 - 25 mm	0.0001 mm/ 0.0005 mm (switchable)	±0.5 μm	Lithium battery (CR2032) x 1
293-130	0 - 1"	0.000005"/0.00002" 0.0001 mm/0.0005 mm (switchable)	± 0.00002"	Lithium battery (CR2032) x 1



Comparative sizes:  
High Accuracy-Micrometer with a highly rigid frame  
and a common Micrometer with a standard frame

Functions	Series 293
Low voltage alarm	●
PRESET	●
Hold	●
Resolution switching	●
Function lock	●
ON/OFF	●
Auto power after 20 min. non use	●
Data output	●

### Specifications

Accuracy	Refer to the list of specifications (excluding quantizing error)
Delivered	Including box, key, driver, 1 battery, heat insulating cover, certificate of inspection
Measuring spindle	With spindle lock, ø6,35mm, 0,5mm spindle pitch
Measuring surface	ø3.2 mm, carbide tipped, micro-lap finish
Measuring force	7-9 N
Flatness	0,3 μm
Parallelism	0,6 μm
Measuring system	Electromagnetic induction type ABS rotary sensor
Battery life	approx. 2 years

### Optional accessories

No.	Description
05CZA662	Digimatic cable with data switch (1 m)
05CZA663	Digimatic cable with data switch (2 m)
06ADV380B	USB Input Tool Direct cable with data switch (2 m)
02AZD790B	Connecting cable U-Wave with data switch

### Consumable spares

No.	Description
05SAA217D	Lithium battery CR-2032



0,1μm digital step