

Digimatic Micrometer IP65

Series 293 - Micrometers in set



- Metric Models, set units
- With data output.

only for 0-25mm, 25-50mm

Functions	Series 293 - Micrometers in set
ORIGIN (until 100 mm)	●
ZERO/ABS	●
Auto Power OFF after 20 min. none use	●
HOLD	●
Low voltage alarm	●

Specifications

Digital step	0,001 mm
Scales	Thimble and sleeve satin chrome finish, $\phi 18$ mm
Flatness	0,3 μm
Parallelism	1 μm for models up to 50 mm 2 μm for models up to 100 mm
Measuring surfaces	Carbide tipped, micro-lap finish
Frame	Enamelled
Measuring spindle	With spindle lock, $\phi 6,35$ mm, 0,5 mm pitch
Measuring force	5-10 N
Delivered	Including box, key, batteries, setting standard (from 25 mm upward) certificate of inspection (0-50 mm range)

Optional accessories

No.	Description
05CZA662	Digimatic cable with data switch (1 m)
05CZA663	Digimatic cable with data switch (2 m)
02AZD790B	Connecting cable U-Wave with data switch
06ADV380B	USB Input Tool Direct cable with data switch (2 m)

Consumable spares

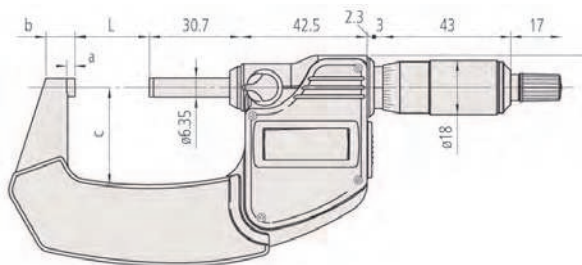
No.	Description
938882	Battery SR44



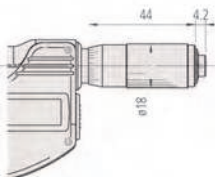
293-962

Metric Set/With ratchet stop

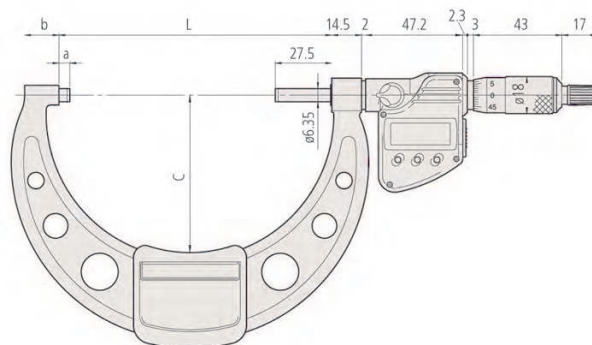
No.	Range	Data Output	Set combination
293-966	0-50mm	●	293-230 / 293-231 + setting standard 25 mm made of ceramics
293-962	0-75mm	●	293-230 / 293-231 / 293-232 + setting standard 25 mm and 50 mm
293-963	0-100mm	●	293-230 / 293-231 / 293-232 / 293-233 + setting standard 25 mm, 50 mm and 75 mm



Ratchet stop type up to 100 mm



Ratchet thimble type / Friction thimble type



Ratchet stop type over 100 mm