

ABSOLUTE Digimatic Micrometer QuickMike



Series 227

- Constant and low measuring force mechanism in the thimble.
- Adjustable measuring force to suit various kinds of workpiece.
- Non-rotating spindle and the new ratchet friction thimble.
- Speedy spindle feed of 10 mm/rev.



227-201

Metric

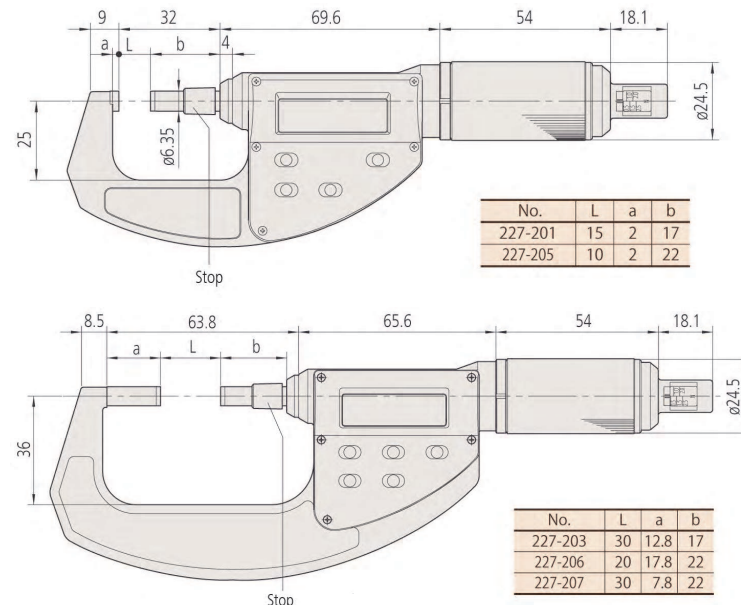
No.	Range	Accuracy	Measuring force (N) settings ⁽¹⁾	Measuring force (N) accuracy ⁽¹⁾	Mass g
227-205	0-10 mm	±2 µm	2; 4; 6; 8; 10	±0,4 + (force setting/10)	340
227-201	0-15 mm	±2 µm	0,5; 1,0; 1,5; 2,0; 2,5	±0,1 + (force setting/10)	300
227-206	10-20 mm	±2 µm	2; 4; 6; 8; 10	±0,4 + (force setting/10)	425
227-203	15-30 mm	±2 µm	0,5; 1,0; 1,5; 2,0; 2,5	±0,1 + (force setting/10)	380
227-207	20-30 mm	±2 µm	2; 4; 6; 8; 10	±0,4 + (force setting/10)	415

⁽¹⁾ Only valid for instrument orientation within ±3 degrees of horizontal when measuring.

Inch/Metric

No.	Range	Accuracy	Measuring force (N) settings ⁽¹⁾	Measuring force (N) accuracy ⁽¹⁾	Mass g
227-215*	0-0.4"	±2 µm/0.0001"	2; 4; 6; 8; 10	±0,4 + (force setting/10)	340
227-211	0-0.6"	±2 µm/0.0001"	0,5; 1,0; 1,5; 2,0; 2,5	±0,1 + (force setting/10)	300
227-216*	0.4-0.8"	±2 µm/0.0001"	2; 4; 6; 8; 10	±0,4 + (force setting/10)	425
227-213*	0.6-1.2"	±2 µm/0.0001"	0,5; 1,0; 1,5; 2,0; 2,5	±0,1 + (force setting/10)	380
227-217*	0.8-1.2"	±2 µm/0.0001"	2; 4; 6; 8; 10	±0,4 + (force setting/10)	415

⁽¹⁾ Only valid for instrument orientation within ±3 degrees of horizontal when measuring.



Functions	Series 227		
	227-201	227-205	227-203 up to 227-207
Data Output	●	●	●
ORIGIN	●	●	●
ZERO/ABS	●	●	●
PRESET	●	●	●
ON/OFF	●	●	●
HOLD	●	●	●
Low voltage alarm	●	●	●

Specifications

Accuracy	Refer to the list of specifications (excluding quantizing error)
Digital step	0,001 mm or 0,001 mm/0.00005"
Flatness	0,3 µm
Parallelism	2 µm
Measuring surfaces	Carbide tipped, micro-lap finish
Frame	Enamelled
Measuring direction	Horizontal
Delivered	Including box, setting standard (for 10-30 mm models), screwdriver, 1 battery

Optional accessories

No.	Description
937387	Digimatic cable (1 m)
965013	Digimatic cable (2 m)
02AZD790E	Connecting cable U-Wave
06ADV380E	USB Input tool Direct cable (2 m)

Consumable spares

No.	Description
938882	Battery SR44



Measuring force adjustable