

Ratchet Thimble Micrometer

Series 102

- Ratchet function works both from the thimble and the speeder, allowing easy one-handed operation.
- Clearly audible ratchet operation for reassurance that measurement is being performed at constant, preset measuring force.
- Certificate of inspection



102-701



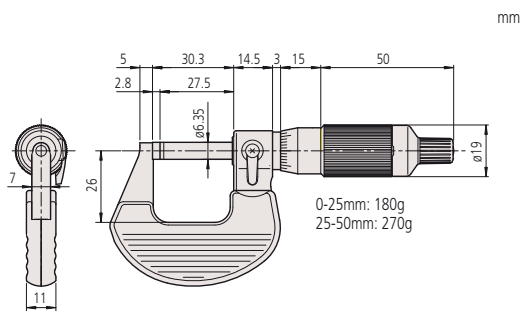
102-702

Metric

No.	Range	Accuracy	Graduation mm	Mass g
102-701	0-25 mm	±2 µm	0,01	180
102-707	0-25 mm	±2 µm	0,001	180
102-702	25-50 mm	±2 µm	0,01	270
102-708	25-50 mm	±2 µm	0,001	270

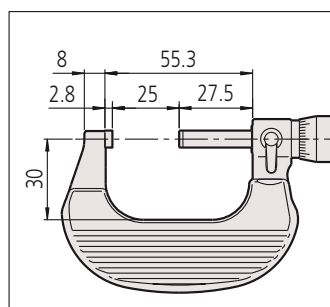
Inch

No.	Range	Accuracy	Graduation mm	Mass g
102-717	0 - 1"	±0.0001"	0.0001"	180
102-718	1 - 2"	±0.0001"	0.0001"	270



0-25 mm

mm



25-50 mm



Coloured ratchet caps (optional accessories)

Specifications

Accuracy	Refer to the list of specifications
Graduation	0,01 mm, 0,001 mm or 0.0001"
Scales	Thimble and sleeve satin chrome finish ø19 mm
Flatness	0,6 µm
Parallelism	2 µm
Measuring surfaces	Carbide tipped, micro-lap finish
Frame	Enamelled
Measuring spindle	with spindle lock, ø 6,35 mm 0,5 mm (or 0.025") pitch
Measuring force	5-10 N
Delivered	Including box, key, setting standard (from 25 mm upward)

Optional accessories

No.	Description
04GAA899	Black ratchet cap
04GAA900	Red ratchet cap
04GAA901	Yellow ratchet cap
04GAA902	Green ratchet cap
04GAA903	Blue ratchet cap

Consumable spares

No.	Description
04AAB208	Grey ratchet cap

