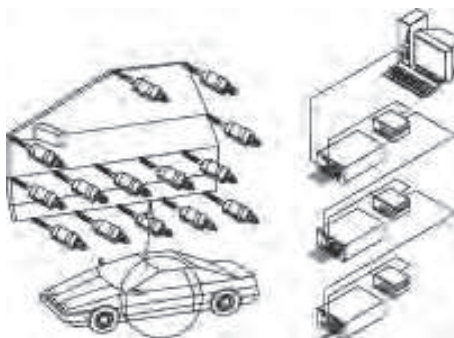
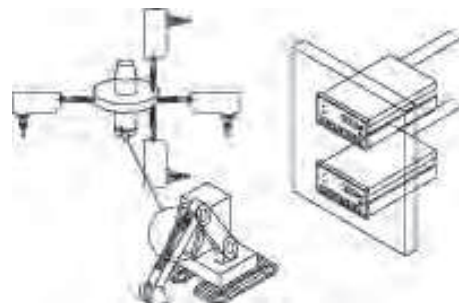


Linear Gage Applications

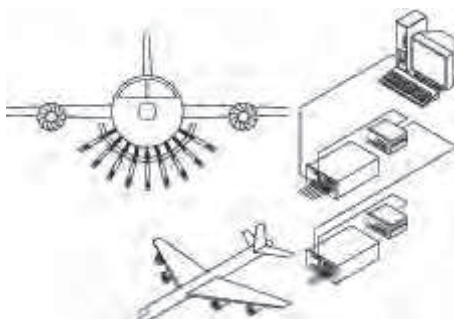
Linear Gage Applications



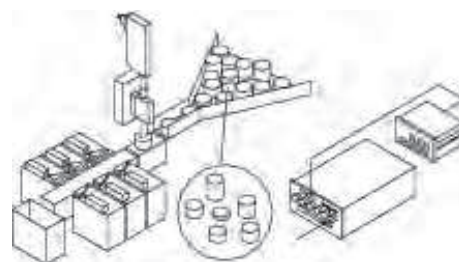
Multi-point measurement on car doors



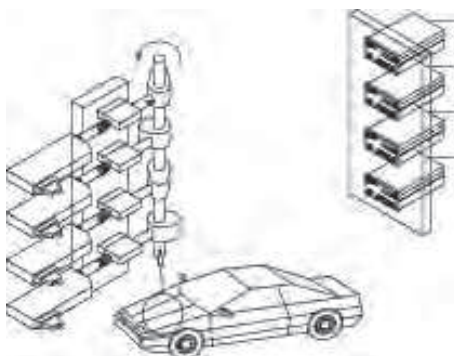
Dimensional measurement of fluid flywheels



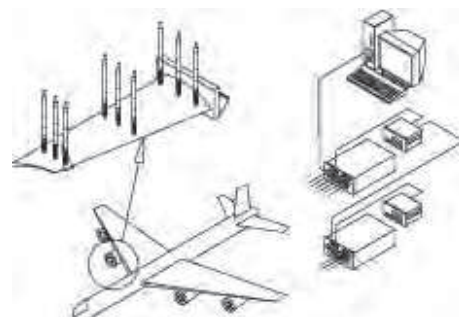
Measurement of aeroplane body deformation



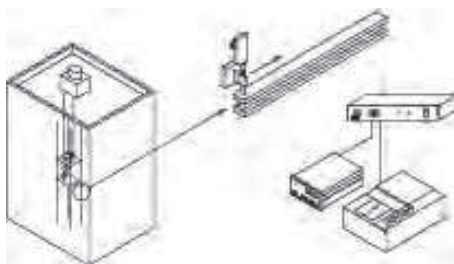
Sorting of parts according to size



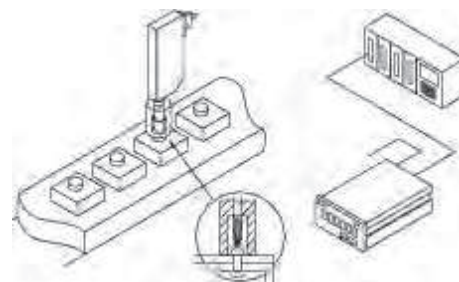
Cam measurement



Multi-point measurement on turbine blades



Measurement of deflection of lift guiding rails



Rivet head testing