

EH/EC Counters for Linear Gages LGD and LGS

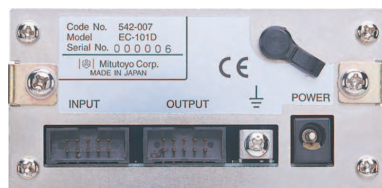
Series 542

Digimatic display

- Can be connected to all devices with Digimatic output, such as many micrometers, dial indicators, measuring gages, etc.
- DIN-compatible compact front panel assembly (96 x 48 mm).
- With data output and tolerance evaluation function (542-007).



542-007



542-007

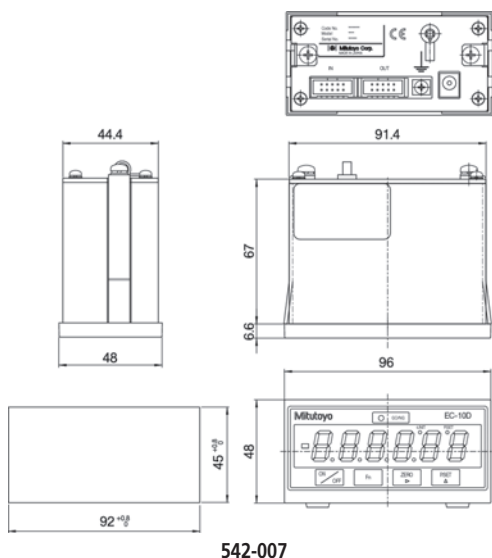


542-072

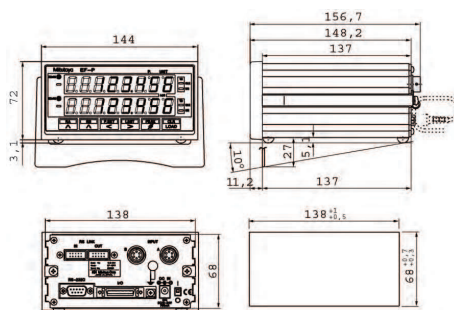


542-072

No.	Description	Number of axes	Remarks	Mass g
542-007D	EC Counter	1		500
542-007E	EC Counter	1	UK only	500
542-072D	EH Counter	2		800
542-072E*	EH Counter	2	UK only	800



542-007



542-072

	Series 542	
	542-007D	542-072D
Functions		
PRESET	●	●
Tolerance limit input ON/OFF	●	●
External control Calculation of sum		●
Zero Set	●	●
GO/±NG on the display and via Open-Collector output port	●	●
Error display	●	●
Diameter Display		●
MAX / MIN / Difference measurement		●
Key lock	●	●
Counting direction switching	●	●
mm/inch	●	●
DIGIMATIC Data input	●	●
RS Link		●
RS-232C Data output		●
Digimatic output	●	●
BCD output		●
Output I/O		●
Tolerance judgement display		●
Tolerance limit setting (3 or 5 steps X 7 types)	●	●
Error output		●

Specifications

Resolution 0,01 mm/0.0005" or 0,001 mm/0.00005" depending on the connected measuring instrument

Specifications **For 542-072**
 Applicable input Differential square-wave
 Display Green LED display, 8 digits, with (-) sign

Specifications **For 542-007**
 Display Green LED display, 6 digits, with (-) sign

Standard accessories

No.	Description
526688D	AC adapter 9V 500mA
526688UK	AC adapter 220 V (UK only)
02ADN460	AC adapter
02ZAA020	AC cable
02ZAA030	AC cable UK only

02ADN460/02ZAA020/02ZAA030 : for 542-072
 526688D/526688UK : for 542-007

Optional accessories

No.	Description
06ADV380D	USB Input Tool Direct cable (2 m)
02AZD790D	Connecting cable U-Wave
936937	Data cable (1 m)
965014	Data cable (2 m)
For 542-007	
C162-155	I/O cable (2 m)
For 542-072	
12AAA807D	Cable RS-232C D-SUB 9/D-SUB 9 (2m)
02ADB440	BCD-I/O-Data connector



Refer to the Linear Gage brochure.
 More details on EH counter, see further on in this chapter.