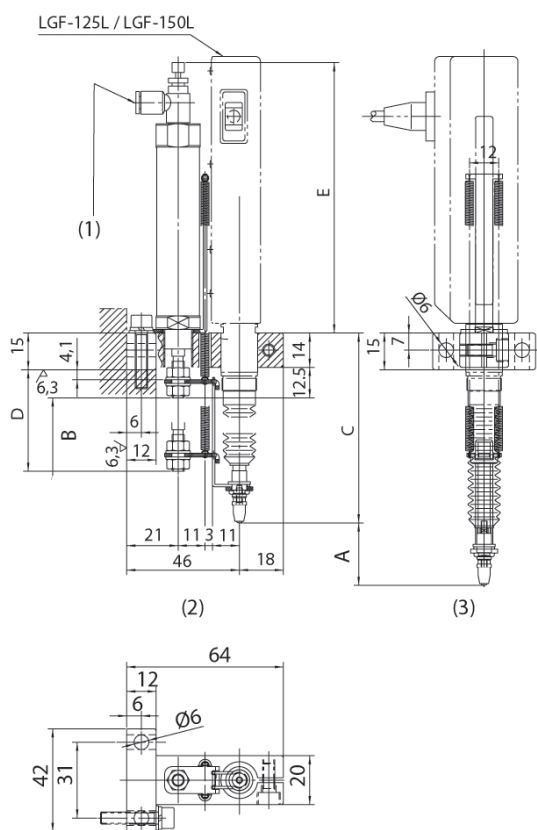
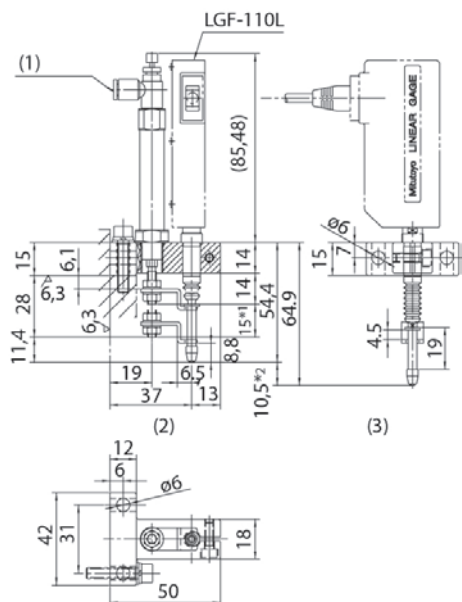


Air drive Unit for Linear Gage



Refer to the Linear Gage brochure



1. Speed controller
2. At air supply off
3. At air supply on

No.	Range	Air supply MPa	A mm	B mm	C mm	D mm	E mm	Mass g
02ADE230	0-10 mm	0.2 to 0.4	-	-	-	-	-	150
02ADE250	0-25 mm	0.2 to 0.4	25,5	30	77,6	41,5	110,5	250
02ADE270	0-50 mm	0.2 to 0.4	51,0	50	95,9	66,5	159,5	300