

# Linear Gage SLIM HEAD LGK



## Series 542

### Slim type

- Differential square-wave signal output for a wide range of applications.
- Small spatial requirement for installation where space is restricted.
- IP-66 protection class.
- High precision for the entire measuring range due to the photoelectric scale.
- Very long life due to linear ball-bearings in the spindle unit.

### Specifications

Scale type	Photoelectric linear encoder
Contact point	Ø 3 mm carbide (mounting threads M 2,5 x 0,45)
Bearing type	Linear ball bearing
Output signal	90° phase difference, differential square wave (RS-422A equivalent)
Stem diameter	8 mm
Max. response speed (mm/s)	1500 mm/s
Cable length	2 m
Power supply	5 V (4.5 V to 5.2 V), 80 mA max.
Environmental conditions	0° C to 40° C (20% to 80% rel. humidity, no condensation)

### Standard accessories

No.	Description
538610	Wrench for contact point (for 10 mm range models)

### Optional accessories

No.	Description
902434	Extension cable (5 m)
902433	Extension cable (10 m)
902432	Extension cable (20 m)
02ADE230	Pneumatic drive CAP 10 mm
02ADB680	Fixing set Ø 9,5 mm (for 10 mm models)
02ADB683	Thrust stem wrench (for 10 mm range models)

### Consumable spares

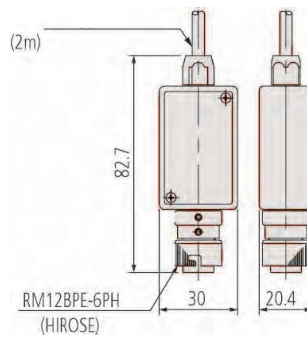
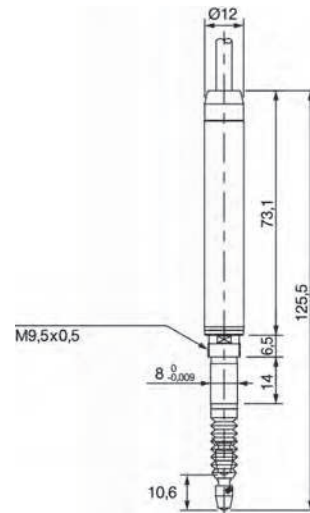
No.	Description
901312	Standard contact point
238772	10 mm rubber boot



Refer to the Linear Gauge documentation for more details



542-156  
542-157  
542-158



No.	Range	Resolution mm	Accuracy (20°C)	Measuring force *1	Signal pitch µm
542-156	0-10 mm/0-0.4"	0,001	(1,5 + L/50) µm	0.8 N/0.75 N/0.7 N	4
542-157	0-10 mm/0-0.4"	0,0005	(1,5 + L/50) µm	0.8 N/0.75 N/0.7 N	2
542-158	0-10 mm/0-0.4"	0,0001	(0,8 + L/50) µm	0.8 N/0.75 N/0.7 N	0,4

\*1 Spindle DOWN/Horizontal/Spindle UP