

Linear Gage LG/LGM

Series 542



542-314/-334
542-315D/-335D

- This Linear Gage is available in manual and motorised versions.
- Large measuring range of 100 mm.

Specifications

Scale type	Photoelectric linear encoder
Contact point	Ø 3 mm carbide (mounting threads M 2,5 x 0,45)
Bearing type	Bearing type
Output signal	90° phase difference, differential square wave (RS-422A equivalent)
Environmental conditions	0°C to 40°C (20% to 80% rel. humidity, no condensation)
Max. response speed	400 mm/s (542-312/542-313D/542-315D/542-316/542-314), 800 mm/s (542-332/542-333D/542-335D/542-336/542-334)
Cable length	2 m
Dimensions (W x d x H)	90 x 175 x 74 mm (control unit)

Consumable spares

No.	Description
901312	Standard contact point
02ADA004	Rubber boot



Control unit for 542-313D/-315D/-333D/-335D (standard accessory)



Refer to the Linear Gauge documentation for more details

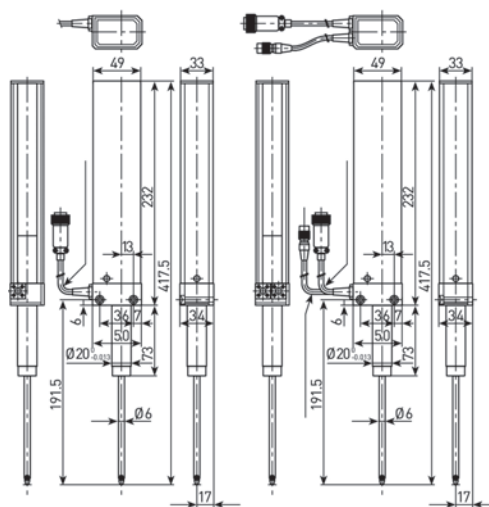


542-312

542-313D

No.	Range	Accuracy (20°C)	Measuring force *1	Stem diameter	Remarks	Resolution µm	Mass g
542-312	0-100 mm/ 0-4"	(2 + L/100) µm ≤ 2,5 µm	8.0 N/6.5 N/5.0 N	20 mm	Standard	0,1 µm	640
542-316*	0-100 mm/ 0-4"	(2 + L/100) µm ≤ 2,5 µm	3.0 N/-/-	20 mm	Low measuring force	0,1 µm	750
542-314*	0-100 mm/ 0-4"	(2 + L/100) µm ≤ 2,5 µm	8.0 N/6.5 N/5.0 N	20 mm	w/ rubber boot	0,1 µm	750
542-332	0-100 mm/ 0-4"	(2,5 + L/100) µm ≤ 3 µm	8.0 N/6.5 N/5.0 N	20 mm	Standard	1 µm	750
542-336*	0-100 mm/ 0-4"	(2,5 + L/100) µm ≤ 3 µm	3.0 N/-/-	20 mm	Low measuring force	1 µm	750
542-334*	0-100 mm/ 0-4"	(2,5 + L/100) µm ≤ 3 µm	8.0 N/ 6.5 N/5.0 N	20 mm	w/ rubber boot	1 µm	750
542-313D*	0-100 mm/ 0-4"	(2 + L/100) µm ≤ 2,5 µm	3.0 N/ 6.5 N/ 9.5 N	20 mm	Motor-driven type	0,1 µm	1640
542-315D	0-100 mm/ 0-4"	(2 + L/100) µm ≤ 2,5 µm	4.5 N/-/6.0 N	20 mm	Motor-driven type	0,1 µm	1640
542-333D*	0-100 mm/ 0-4"	(2,5 + L/100) µm ≤ 3 µm	3.0 N/6.5 N/9.5 N	20 mm	Motor-driven type	1 µm	940
542-335D*	0-100 mm/ 0-4"	(2,5 + L/100) µm ≤ 3 µm	4.5 N/-/6.0 N	20 mm	Motor-driven type	1 µm	1640

*1 Spindle DOWN/Horizontal/Spindle UP



542-312
542-332

542-313D
542-333D