

# Motorized low force, high precision gages LITEMATIC VL-50

## Series 318

- High-accuracy measuring machine with a measuring force of 0,01 N (1 gf) and a resolution of 0,01 µm.
- The constant and low measuring force makes it especially suitable for the measurement of soft materials such as rubber, plastic, film thicknesses or sensitive form parts.
- Motor driven plunger has a range of approach and retraction speeds for safe and easy operation.

Functions	Series 318
ZERO / ABS	●
PRESET	●
Counting direction switchable	●
Tolerance input (3 or 5 levels)	●
mm/inch conversion	●
Key lock	●
Motorised plunger movement	●
Mode : max-min (TIR) reading	●
Data output	●
Min. value/Hold	●
Max. value/Hold	●

### Specifications

Digital Step	0,01 µm/0,1 µm/1 µm/0.000005"/0.000005"/0.00005" (switchable)
Range	0-50 mm/0-2"
Data output	Digimatic RS-232C INTERFACE I/O
Mass	19 kg (318-217 : 21 kg)

### Optional accessories

No.	Description
937179T	Footswitch
02ADB440	BCD-I/O-Data connector
936937	Data cable (1 m)
965014	Data cable (2 m)
12AAA807D	Cable RS-232C D-SUB 9/D-SUB 9 (2m)
06ADV380D	USB Input Tool Direct cable (2 m)
02AZD790D	Connecting cable U-Wave

### Consumable spares

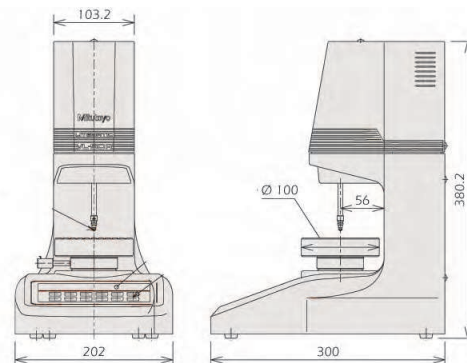
No.	Description
901312	Standard contact point
357651	AC Adapter 9V
02ZAA020	AC cable
02ZAA030	AC cable UK only



Refer to the Linear Gauge documentation for more details



318-22xD



318-22xD



318-217D

No.	Type	Measuring force	Accuracy
318-217D*	VL-50 AH	0.01 N (1 gf)	(0,1 + 0,5L/100) µm L = Measurement height
318-221D	VL-50 B	0.01 N (1 gf)	(0,5 + L/100) µm L = Measurement height
318-222D*	VL-50-15-B	0.15 N (15 gf)	(0,5 + L/100) µm L = Measurement height
318-223D*	VL-50-100-B	1 N (102 gf)	(0,5 + L/100) µm L = Measurement height