

ABSOLUTE Digimatic Scale Units

Horizontal multi-function type

Measurement direction switching

Series 572

- ABSOLUTE capacitive-type scale.
- The ZERO point is set only once and is stored as the ABSOLUTE ZERO point until the next battery replacement.
- Highest measuring precision even at highest drive speed.
- Large display characters for easy reading.



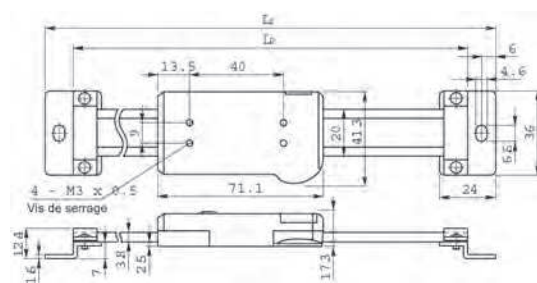
572-461

Metric

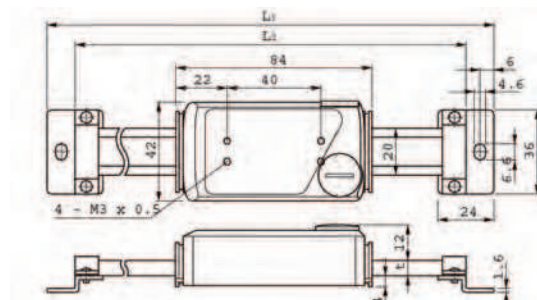
No.	Range	Accuracy	L1 mm	L2 mm	Mass g
572-460	0-100 mm	0,03 mm	244	220	250
572-461	0-150 mm	0,03 mm	294	270	280
572-462	0-200 mm	0,03 mm	344	320	310
572-463	0-300 mm	0,04 mm	444	420	370
572-464	0-450 mm	0,04 mm	594	570	760
572-465	0-600 mm	0,05 mm	774	750	900
572-466	0-800 mm	0,06 mm	974	950	1710
572-467	0-1000 mm	0,07 mm	1174	1150	2040

Inch/Metric

No.	Range	Accuracy	L1 mm	L2 mm	Mass g
572-470*	0-100 mm/0-4"	0,03 mm/0.001"	244	220	250
572-471*	0-150 mm/0-6"	0,03 mm/0.001"	294	270	280
572-472*	0-200 mm/0-8"	0,03 mm/0.001"	344	320	310
572-473*	0-300 mm/0-12"	0,04 mm/0.002"	444	420	370
572-474	0-450 mm/0-18"	0,04 mm/0.002"	594	570	760
572-475	0-600 mm/0-24"	0,04 mm/0.002"	774	750	900
572-476*	0-800 mm/0-32"	0,06 mm/0.0025"	974	950	1710
572-477	0-1000 mm/0-40"	0,07 mm/0.0025"	1174	1150	2040



100-300 mm



450-1000 mm

Functions	Series 572
Data output	●
ORIGIN	●
ZERO/SET	●
PRESET	●
ON/OFF	●
DATA/HOLD	●
Counting direction switchable	●
Low voltage alarm	●

Specifications

Accuracy	Refer to the list of specifications (excluding quantizing error)
Digital Step	0,01 mm or 0,01 mm/0.0005"
Delivered	One battery
Max. response speed	Unlimited

Optional accessories

No.	Description
905338	Data cable (1 m)
905409	Digimatic cable (2 m)
905689	Digimatic cable (1 m)
905690	Digimatic cable (2m)
905691	Digimatic cable (1m)
905692	Digimatic cable (2m)
905693	Digimatic cable (1m)
905694	Digimatic cable (2 m)
06ADV380C	USB Input tool Direct cable with data switch (2 m)
02AZD790C	U-WAVE Data Cable with data switch

Consumable spares

No.	Description
938882	Battery SR44