

# ABSOLUTE Digimatic Scale Units

## Vertical multi-function type

### Measurement direction switching



Functions	Series 572
Data output	●
ORIGIN (ABS-Zero)	●
ZERO/ABS	●
PRESET	●
ON/OFF	●
DATA/HOLD	●
Measurement direction switching	●

#### Specifications

Accuracy	Refer to the list of specifications (excluding quantizing error)
Digital Step	0,01 mm or 0,01 mm/0.0005"
Max. response speed	Unlimited
Delivered	One battery

#### Optional accessories

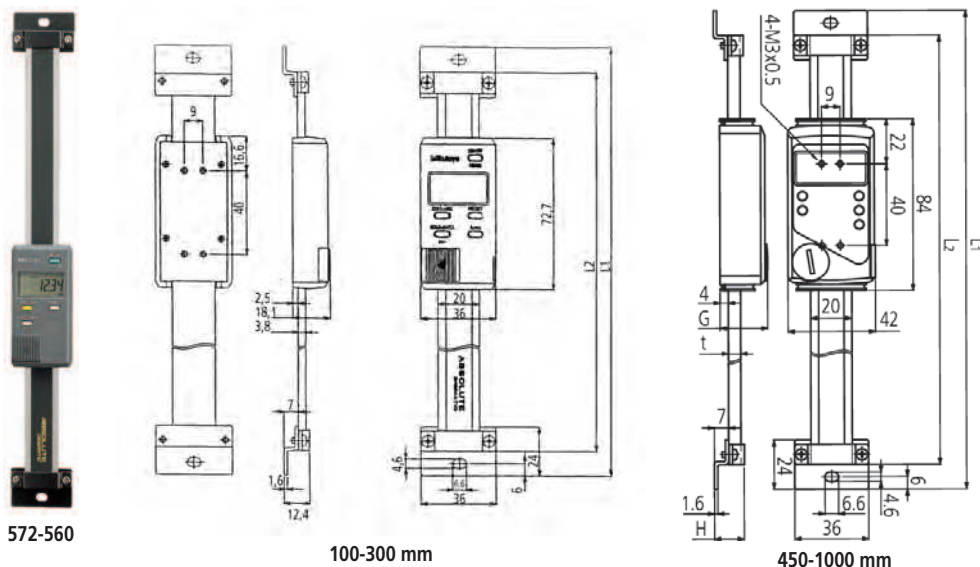
No.	Description
905338	Data cable (1 m)
905409	Digimatic cable (2 m)
905689	Digimatic cable (1 m)
905690	Digimatic cable (2m)
905691	Digimatic cable (1m)
905692	Digimatic cable (2m)
905693	Digimatic cable (1m)
905694	Digimatic cable (2 m)
06ADV380C	USB Input tool Direct cable with data switch (2 m)
02AZD790C	U-WAVE Data Cable with data switch

#### Consumable spares

No.	Description
938882	Battery SR44

#### Series 572

- ABSOLUTE capacitive-type scale.
- The ZERO point is set only once and is stored as the absolute ZERO point until the next battery replacement.
- Large display characters for easy reading.
- With measurement direction switching.



#### Metric

No.	Range	Accuracy	g (mm)	L1 mm	L2 mm	H mm	t mm	Mass g
572-560	0-100 mm	0,03 mm		244	220			250
572-561	0-150 mm	0,03 mm		294	270			280
572-562	0-200 mm	0,03 mm		344	320			310
572-563	0-300 mm	0,04 mm		444	420			370
572-564	0-450 mm	0,04 mm	23,2	594	570	14,6	6	760
572-565	0-600 mm	0,05 mm	23,2	774	750	14,6	6	900
572-566	0-800 mm	0,06 mm	27,2	974	950	18,6	10	1710
572-567	0-1000 mm	0,07 mm	27,2	1174	1150	18,6	10	2040

#### Inch/Metric

No.	Range	Accuracy	g (mm)	L1 mm	L2 mm	H mm	t mm	Mass g
572-570*	0-100 mm/0-4"	0,03 mm/0.001"		244	220			250
572-571	0-150 mm/0-6"	0,03 mm/0.001"		294	270			280
572-572*	0-200 mm/0-8"	0,03 mm/0.001"		344	320			310
572-573	0-300 mm/0-12"	0,03 mm/0.001"		444	420			370
572-574	0-450 mm/0-18"	0,04 mm/0.002"	23,2	594	570	14,6	6	760
572-575	0-600 mm/0-24"	0,04 mm/0.002"	23,2	774	750	14,6	6	900
572-576*	0-800 mm/0-32"	0,06 mm/0.0025"	27,2	974	950	18,6	10	1710
572-577*	0-1000 mm/0-40"	0,07 mm/0.0025"	27,2	1174	1150	18,6	10	2040