

# Linear Scale AT203

## Series 539 - Range 100-6000mm

- Sealed type incremental linear scales suitable for feedback systems in NC machine tools.
- Direct connection with NC machine tools is possible.
- Construction is identical to corresponding AT103 scales



### Specifications

Effective range (L0)	100 - 6000 mm
Accuracy at 20°C	100 to 1500 mm (3+3L/1000) μm 1600 to 3000 mm (5+5L/1000) μm 3250 to 6000 mm (5+8L/1000) μm L = Effective range (mm)
Max. drive speed	11-120 m/min
Scale reference points	every 50 mm
Cable length	5 m
Output waveform	Two 90° phase-shifted quadrature signals (RS422)
Resolution	0,1; 0,5; 1 μm

No.	Effective range (L0)
539-411-30*	0-100 mm/0-4"
539-412-30*	0-150 mm/0-6"
539-413-30*	0-200 mm/0-8"
539-414-30*	0-250 mm/0-10"
539-415-30*	0-300 mm/0-12"
539-416-30*	0-350 mm/0-14"
539-417-30*	0-400 mm/0-16"
539-418-30*	0-450 mm/0-18"
539-419-30*	0-500 mm/0-20"
539-421-30*	0-600 mm/0-24"
539-423-30*	0-700 mm/0-28"
539-424-30*	0-750 mm/0-30"
539-425-30*	0-800 mm/0-32"
539-426-30*	0-900 mm/0-36"
539-427-30*	0-1000 mm/0-40"
539-428-30*	0-1100 mm/0-44"
539-429-30*	0-1200 mm/0-48"
539-430-30*	0-1300 mm/0-52"
539-431-30*	0-1400 mm/0-56"
539-432-30*	0-1500 mm/0-60"
539-433-30*	0-1600 mm/0-64"
539-434-30*	0-1700 mm/0-68"
539-435-30*	0-1800 mm/0-72"
539-436-30*	0-2000 mm/0-80"
539-437-30*	0-2200 mm/0-88"
539-438-30*	0-2400 mm/0-96"
539-439-30*	0-2500 mm/0-100"
539-440-30*	0-2600 mm/0-104"
539-441-30*	0-2800 mm/0-112"
539-442-30*	0-3000 mm/0-120"
539-443-30*	0-3250 mm/0-130"
539-444-30*	0-3500 mm/0-140"
539-445-30*	0-3750 mm/0-150"
539-446-30*	0-4000 mm/0-160"
539-447-30*	0-4250 mm/0-170"
539-448-30*	0-4500 mm/0-180"
539-449-30*	0-4750 mm/0-190"
539-450-30*	0-5000 mm/0-200"
539-451-30*	0-5250 mm/0-210"
539-452-30*	0-5500 mm/0-220"
539-453-30*	0-5750 mm/0-230"
539-454-30*	0-6000 mm/0-240"

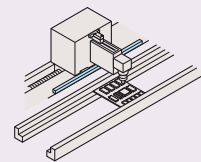
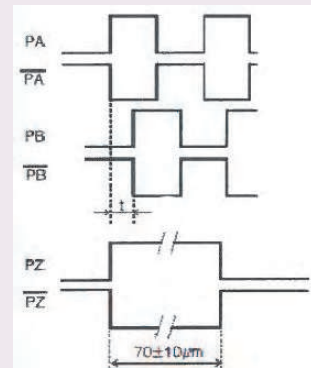


Fig.1 High-speed, high-accuracy industrial robots

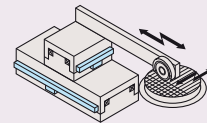


Fig.2 Positioning dicing saw in semiconductor production process

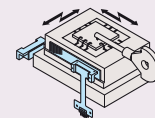


Fig.3 Positioning IC tip for wire-bonding

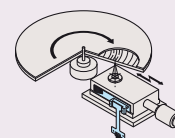


Fig.4 Improving seek-time of disk drive systems