

MSM-400 Stereo Microscope

Series 377 - MSM-412L, MSM-465L, MSM-Z414L and MSM-Z475TL

Stereo microscope with illumination

- Bright, sharp images with real depth are recreated with high resolution and excellent colour fidelity, thus minimizing eye fatigue while increasing inspection efficiency and productivity.
- Easy change of magnification either by Turret or Zoom lens.
- Using the horizontal focusing wheels mounted on both sides of the unit, you can quickly bring the object into focus regardless of whether you're right or left handed.
- The trinocular tube of the MSM-Z475TL allows easy attachment of a digital camera to save captured images of the object.

Specifications

Dimensions 151 x 285 x 343 mm

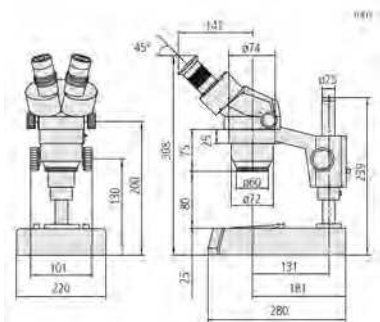
Additional Specifications

Transmitted illumination **Light source for 377-926, 377-946, 377-966, 377-986** : Halogen bulb (12V, 10W) with colour filter

Surface illumination **Light source for 377-926, 377-946, 377-966, 377-986** : Halogen bulb (12V, 15W)



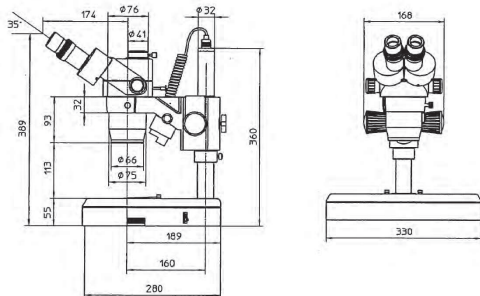
377-946



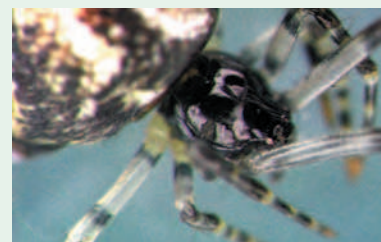
377-946



377-986



377-986k



Model	MSM-412L	MSM-Z414L	MSM-Z475TL	MSM-465L
No.	377-926D* 377-926E	377-946D 377-946E	377-986D	377-966D* 377-966E
Total magnification	10X, 20X	10X to 40X	7.5X to 50X	6X, 12X, 25X, 50X
Optical tube	Binocular	Binocular	Trinocular	Binocular
Interpupillary distance (adjustable)	54 - 76 mm	54 - 76 mm	52 - 79 mm	54 - 76 mm
Eyepiece (optional)	WF5X/22, WF10X/20 (standard), WF15X/13, WF20X/10	WF5X/22, WF10X/20 (standard), WF15X/13, WF20X/10	WF10X/23 (standard), WF5X/23, WF6,25X/23, WF15X/17, WF20X/13, WF32X/8	WF6,25X/23, WF10X/23 (standard), WF15X/17,6, WF20X/13,4, WF32X/10
Objective lens	1X, 2X Turret, two stage	1X to 4X (zoom factor 4)	0.75X to 5X (zoom)	1.2X, 2.5X, 5X Turret, four stage
Auxiliary objective (optional)	-	0.5X, 0.75X, 1.5X	0.5X, 0.63X, 1.5X, 2X	0.6X, 1.2X, 2.5X, 5X
Total magnification of objective	2.5X to 60X	2.5X to 120X	1.87X to 320X	3.75X to 320X
Working distance of objective	95 mm	80 mm	113 mm	89 mm
Height adjustment range	44 mm	44 mm	50 mm	50 mm
Max. workpiece height	93 mm	95 mm	130 mm	95 mm
Mass (kg)	4,7	5,1	6,9	6,3

UK only for all ref. in E, example : 377-926E