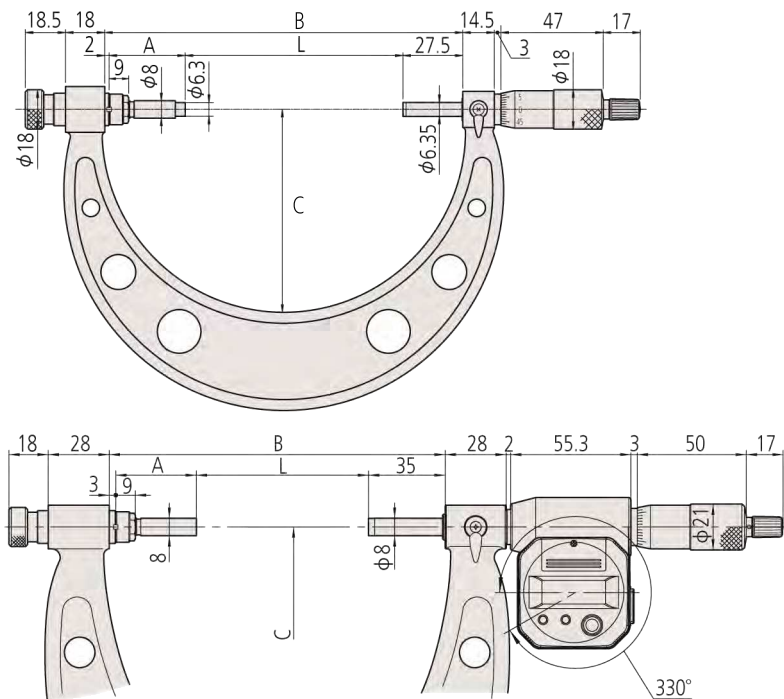


# Outside Micrometer with interchangeable anvils

## Series 104/340

Optional interchangeable anvils for 104 and 340 series



**Note:** The values for B mm and C mm are valid for all products shown in the tables below:

**B mm:**  
Value for measuring range:  
0/150 mm: 164,5; 150/300 mm: 314,5; 300/400 mm: 425; 400/500 mm: 525; 500/600 mm: 625; 600/700 mm: 725; 700/800 mm: 825; 800/900 mm: 925; 900/1000 mm: 1025

**C mm:**  
Value for measuring range:  
0/150 mm: 90; 150/300 mm: 166; 300/400 mm: 220; 400/500 mm: 270; 500/600 mm: 332; 600/700 mm: 382; 700/800 mm: 430; 800/900 mm: 480; 900/1000 mm: 530

0 - 300 mm

| Interchangeable anvil ident | M1 mm°        | M2 mm         | M3 mm         | M4 mm         | M5 mm         | M6 mm         |
|-----------------------------|---------------|---------------|---------------|---------------|---------------|---------------|
| <b>No.</b>                  | <b>303950</b> | <b>303951</b> | <b>303952</b> | <b>303953</b> | <b>303954</b> | <b>303955</b> |
| 0/150 mm                    | 0-25          | 25-50         | 50-75         | 75-100        | 100-125       | 125-150       |
| 150/300 mm                  | 150-175       | 175-200       | 200-225       | 225-250       | 250-275       | 275-300       |
| A mm                        | 135           | 110           | 85            | 60            | 35            | 10            |

300 - 1000 mm

| Interchangeable anvil ident | M3 mm         | M4 mm         | M5 mm         | M6 mm         | L mm     | B mm     |
|-----------------------------|---------------|---------------|---------------|---------------|----------|----------|
| <b>No.</b>                  | <b>304001</b> | <b>304002</b> | <b>304003</b> | <b>304004</b> | <b>L</b> | <b>B</b> |
| 300/400 mm                  | 300-325       | 325-350       | 350-375       | 375-400       | 425      | 224      |
| 400/500 mm                  | 400-425       | 425-450       | 450-475       | 475-500       | 525      | 273      |
| 500/600 mm                  | 500-525       | 525-550       | 550-575       | 575-600       | 625      | 332      |
| 600/700 mm                  | 600-625       | 625-650       | 650-675       | 675-700       | 725      | 382      |
| 700/800 mm                  | 700-725       | 725-750       | 750-775       | 775-800       | 825      | 430      |
| 800/900 mm                  | 800-825       | 825-850       | 850-875       | 875-900       | 925      | 480      |
| 900/1000 mm                 | 900-925       | 925-950       | 950-975       | 975-1000      | 1025     | 530      |
| A mm                        | 87            | 62            | 37            | 12            | -        | -        |