

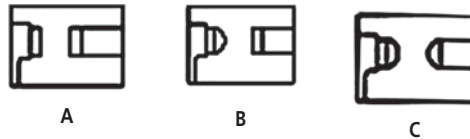
Digimatic Sheet Metal Micrometer

Series 389

- Designed with a deep frame for measuring the thickness of sheet material at a greater distance from the edge than is possible with a standard micrometer.



389-251

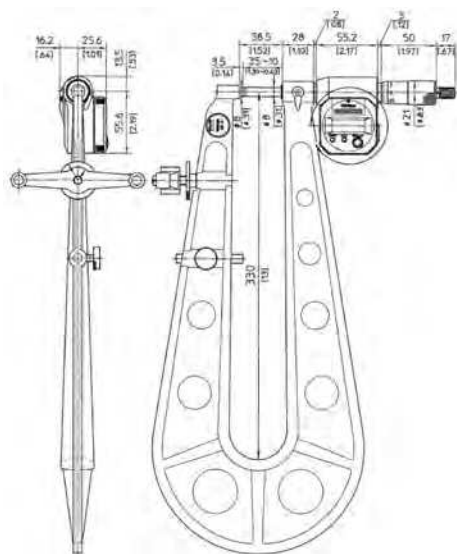


Metric

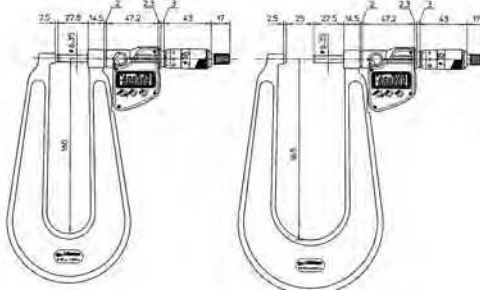
No.	Range	Accuracy	Anvil/Tip	Mass g	IP 65
389-251	0-25 mm	±4 µm	A	840	•
389-261	0-25 mm	±4 µm	B	840	•
389-271	0-25 mm	±4 µm	C	840	•
389-514	0-25 mm	±5 µm	A	2,750	
389-252	25-50 mm	±4 µm	A	920	•
389-262	25-50 mm	±4 µm	B	920	•
389-272	25-50 mm	±4 µm	C	920	•

Inch/Metric

No.	Range	Accuracy	Anvil/Tip	Mass g	IP 65
389-351	0-1"	±4 µm/0.0002"	A	840	•
389-361	0-1"	±4 µm/0.0002"	B	840	•
389-371	0-1"	±4 µm/0.0002"	C	840	•
389-714	0-1"	±5 µm /0.00025"	A	2,750	
389-352	1-2"	±4 µm/0.0002"	A	920	•
389-362	1-2"	±4 µm /0.0002"	B	920	•
389-372	1-2"	±4 µm/0.0002"	C	920	•



389-514/389-714 (between brackets)



0-25 mm/25-50 mm

Functions	Series 389			
	389-251	up to 389-372	389-514	389-714
Data Output		•		•
ORIGIN		•		•
ZERO/ABS		•		•
ON				•
Auto Power OFF after 20 min. non use		•		•
HOLD		•		•
2 x PRESET				•
Low voltage alarm		•		•

Specifications

Accuracy	Refer to the list of specifications (excluding quantizing error)
Digital step	0,001 mm or 0,001 mm/0.00005"
Scales	Thimble and sleeve satin chrome finish, ø 18 mm/ ø 21 mm
Flatness	0,6 µm for models with 160/165 mm throat 1 µm for models with 330 mm throat
Parallelism	3 µm
Measuring surfaces	Carbide tipped, micro-lap finish
Frame	Enamelled
Measuring spindle	ø 6,35 mm/ø 8 mm (389-514, 389-714), spindle pitch 0,5 mm, with spindle lock
Measuring force	3-8 N/10-14N (389-514, 389-714)
Battery life	approx. 1.2 years/ approx. 1.8 years (389-514, 389-714)
Delivered	Including box, key, 1 battery/ 2 batteries (389-514, 389-714)

Optional accessories

No.	Description
05CZA662	Digimatic cable with data switch (1 m)
05CZA663	Digimatic cable with data switch (2 m)
02AZD790B	Connecting cable U-Wave with data switch
04AZB512	Digimatic cable with data switch (1 m)
04AZB513	Digimatic cable with data switch (2 m)
06ADV380B	USB Input Tool Direct cable with data switch (2 m)
02AZD790C	U-WAVE Data Cable with data switch
06ADV380C	USB Input tool Direct cable with data switch (2 m)
959149	Digimatic cable with data switch (1 m)
959150	Digimatic cable with data switch (2 m)

04AZB512/04AZB513/02AZD790C/06ADV380C/959149/959150 only No. 389-514/389-714

Consumable spares

No.	Description
938882	Battery SR44