

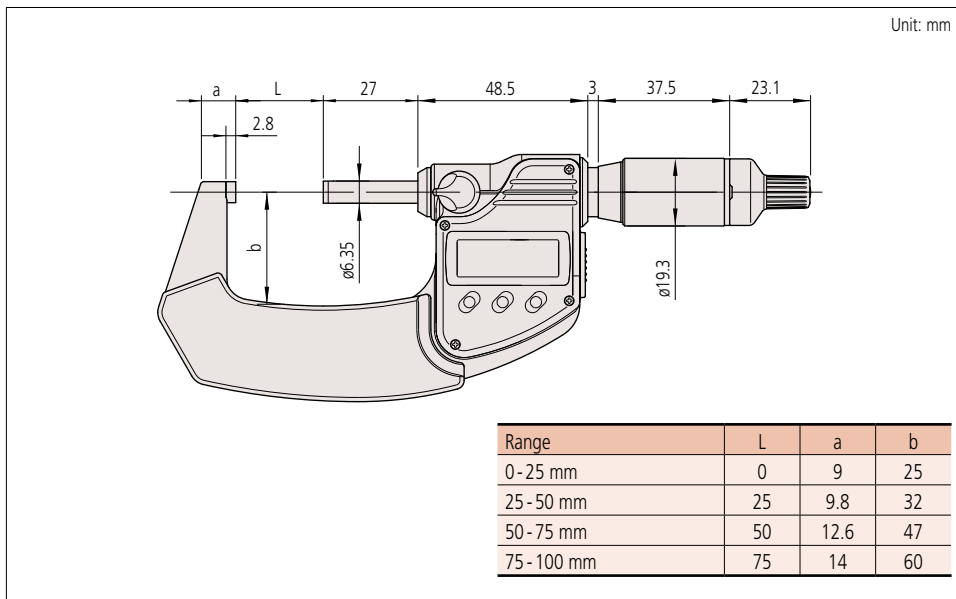
Optional Accessories

(Only for models with data output function)

- 05CZA662:** SPC data cable with pushbutton (1 m)
£58.50
- 05CZA663:** SPC data cable with pushbutton (2 m)
£70.40
- 06ADV380B:** USB Input Tool Direct USB-ITN-B (2 m)
£106.00
- 02AZD790B:** SPC data cable for U-WAVE-T (160 mm)
£52.20
- 02AZE140B:** SPC data cable for U-WAVE-T and footswitch (160/500 mm)
£119.00



DIMENSIONS



Patented ratchet thimble mechanism*

The patented ratchet thimble mechanism helps ensure repeatable results by transmitting micro-vibrations along the spindle to the contact face to provide a constant measuring force and encourage good contact with the workpiece. The ratchet works from the thimble as well as the speeder so it is always easy to use – even when making measurements one handed. The sound of the ratchet provides the user with a sense of confidence and the speeder enables the rapid spindle feed needed when measuring widely different dimensions.

* Patent registered (Japan, USA, China, Germany, UK and France)



Ratchet-induced micro-vibrations along the spindle help ensure repeatable measurements.

Measuring time on a multi-stepped workpiece with one hand



Thanks to the quick movement, positioning times are reduced by 60%* and measuring times by 35%* compared with a conventional micrometer.

* According to Mitutoyo's comparison test data for measuring time on typical workpieces.

