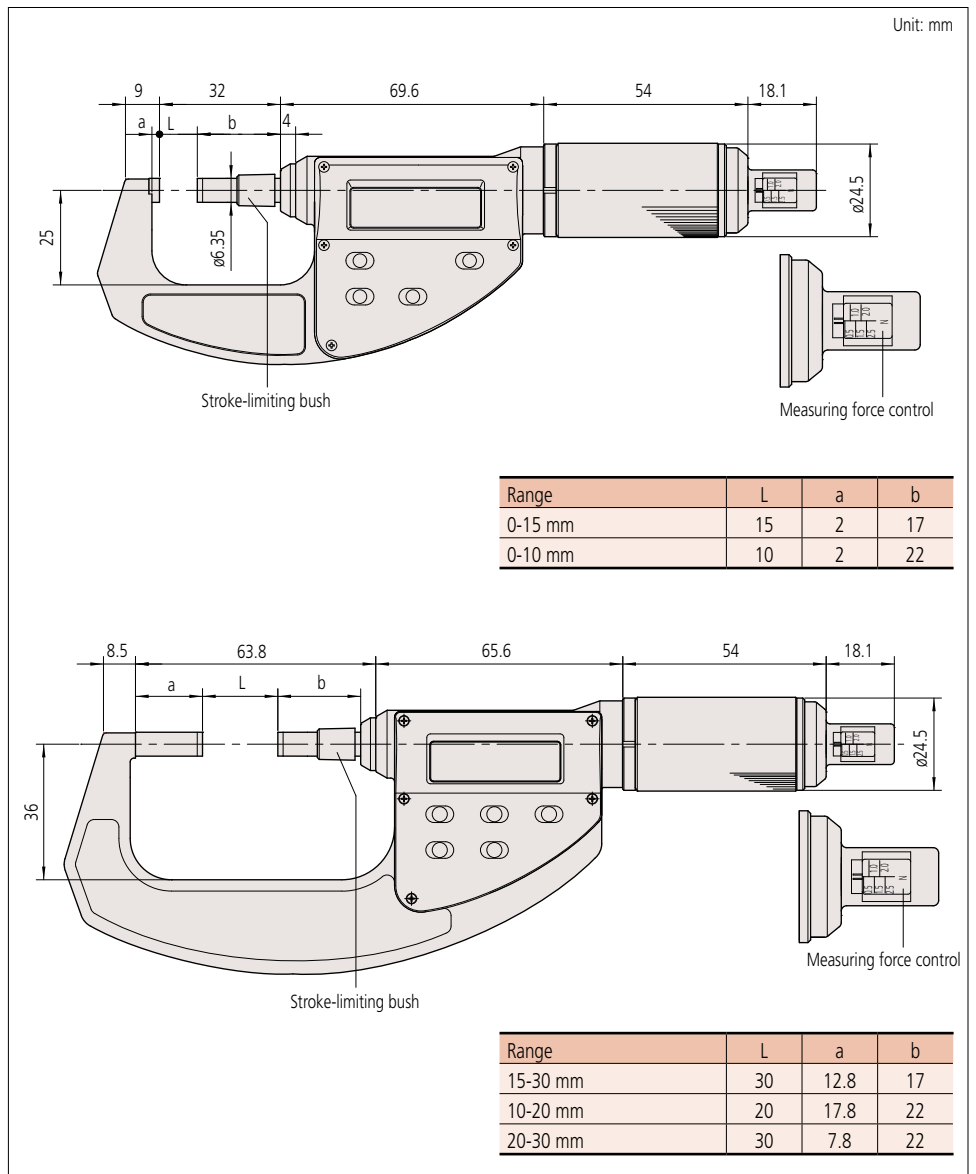


## Optional Accessories

- 937387:** SPC data cable (1 m)  
**£32.90**
- 965013:** SPC data cable (2 m)  
**£39.10**
- 06ADV380E:** USB Input Tool Direct USB-ITN-E (2 m)  
**£106.00**
- 02AZD790E:** SPC data cable for U-WAVE-T (160 mm)  
**£52.20**
- 02AZE140E:** SPC data cable for U-WAVE-T and footswitch (160/500 mm)  
**£107.00**

## DIMENSIONS



### Adjustable measuring force

To preset the measuring force, adjust the measuring force setting scale on the thimble with the screwdriver supplied.

