

Micrometers

SERIES 324 – Digimatic Interchangeable Anvil Gear Tooth Micrometer

- Intended for making *over-pin diameter* measurements on gears using precision ball anvils/spindle tips. (See *Quick Guide to Micrometers* at the end of this section.)
- Interchangeable steel (or carbide) ball anvils/spindle tips for various gear modules (0.5-5.25) are optional.
- Equipped with Ratchet Stop for constant measuring force.
- Ball anvil/spindle tips: optional.



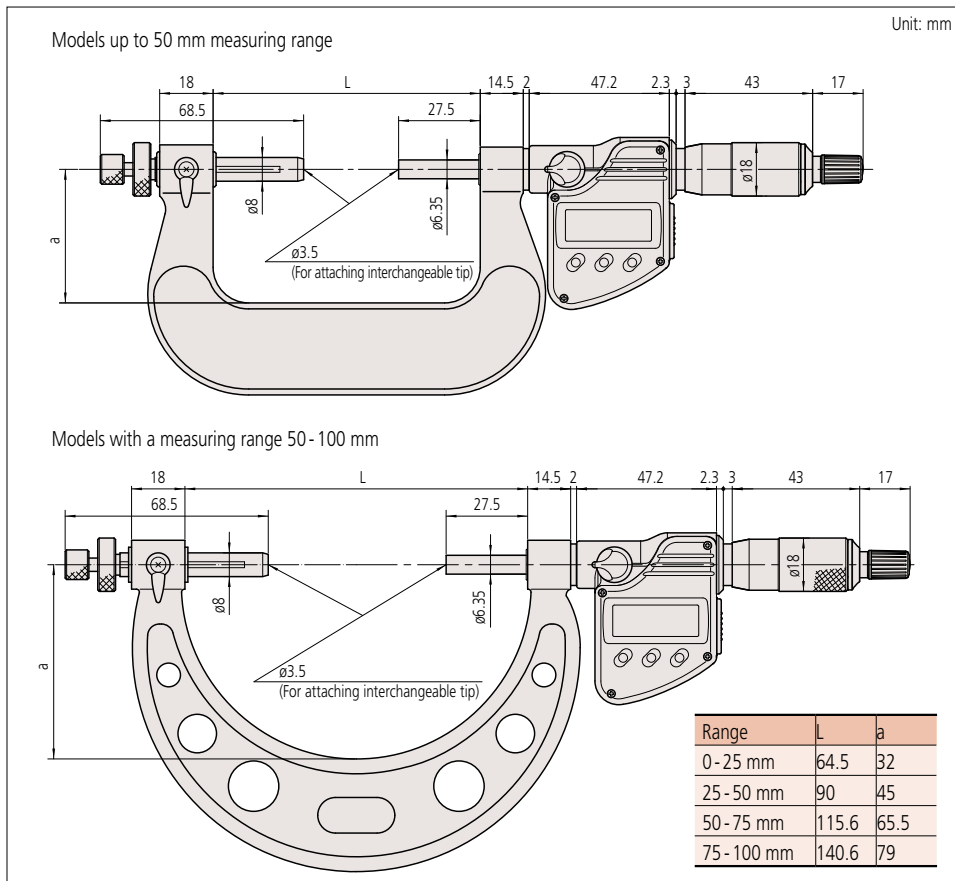
324-351

SPECIFICATIONS

Inch/Metric				
Code No.	Range	Resolution	Accuracy*	Price
324-351	0 - 25 mm (0 - 1")	0.001 mm (.00005")	± 4 μm (±.0002")	£500.00
324-352	25 - 50 mm (1 - 2")			£530.00
324-353	50 - 75 mm (2 - 3")			£560.00

* Excluding quantizing error

DIMENSIONS



Technical Data

Battery: SR44 (2 pcs) **938882**

Optional Accessories

- 05CZA662:** SPC data cable with pushbutton (1 m) **£58.50**
- 05CZA663:** SPC data cable with pushbutton (2 m) **£70.40**
- 06ADV380B:** USB Input Tool Direct USB-ITN-B (2 m) **£106.00**
- 02AZD790B:** SPC data cable for U-WAVE-T (160 mm) **£52.20**
- 02AZE140B:** SPC data cable for U-WAVE-T and footswitch (160/500 mm) **£119.00**

For interchangeable anvils/spindle tips sets refer to page B-38