

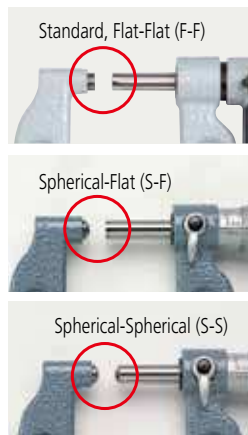
Micrometers

SERIES 389 – Digimatic Sheet Metal Micrometer

- The large throat depth makes this micrometer ideal for measuring the thickness of sheet metal at a considerable distance from the edge.
- Profile of measuring faces: Flat-Flat, Spherical-Flat and Spherical-Spherical.
- Equipped with Ratchet Stop for constant measuring force.
- Measuring faces: Carbide.



389-351



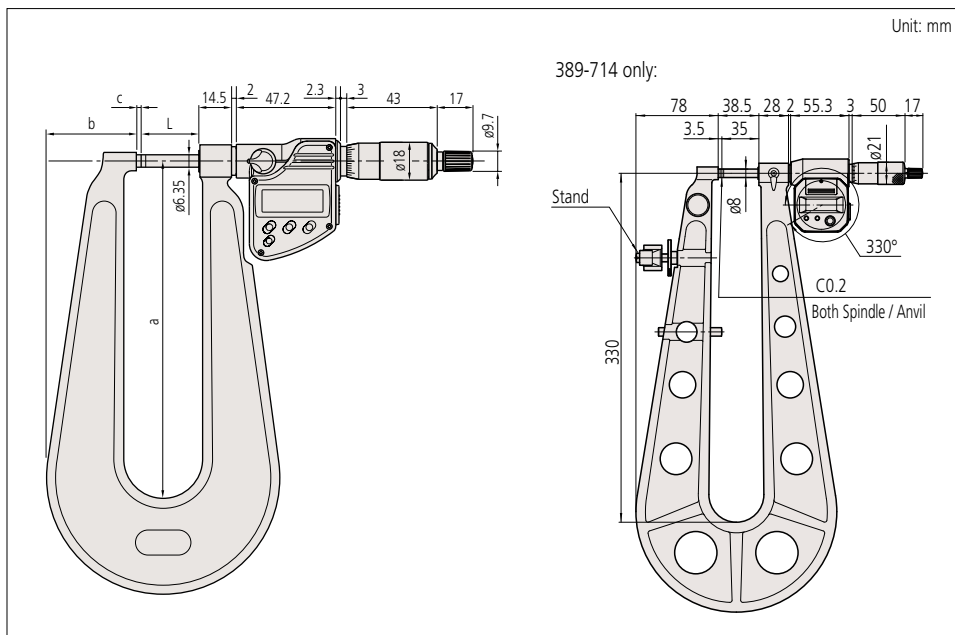
SPECIFICATIONS

Inch/Metric						
Code No.	Range	Resolution	Accuracy*	Throat depth* ¹	Measuring surfaces	Price
389-351	0-25 mm (0-1")	0.001 mm (.00005")	±4 μm (±.0002")	150 mm (6")	F-F	£397.00
389-361					S-F	£408.00
389-371					S-S	£408.00
389-714	25-50 mm (1-2")	0.001 mm (.00005")	±5 μm (±.00025")	300 mm (12")	F-F	£785.00
389-352					S-F	£406.00
389-362					S-S	£444.00
389-372					S-S	£454.00

* Excluding quantizing error.

*¹ Models with a 300 mm (12") throat are equipped with a stand for convenience of measurement in the horizontal orientation.

DIMENSIONS



Technical Data

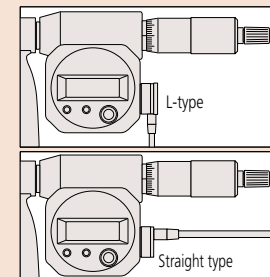
Flatness:	0.6 μm (.000024") for models up to 150 mm (6") throat, 1.0 μm (.00004") for models with 300 mm (12") throat
Parallelism:	3 μm (.00012")
Quantizing error:	excluding ±1 count
Battery:	SR44 (1 pc), 938882 (2 pcs: 389-714)

Optional Accessories

Data cables (excluding 389-714)

- 05CZA662:** SPC data cable with pushbutton (1 m) **£58.50**
 - 05CZA663:** SPC data cable with pushbutton (2 m) **£70.40**
 - 06ADV380B:** USB Input Tool Direct USB-ITN-B (2 m) **£106.00**
 - 02AZD790B:** SPC data cable for U-WAVE-T (160 mm) **£52.20**
 - 02AZE140B:** SPC data cable for U-WAVE-T and footswitch (160/500 mm) **£119.00**
- Data cables for 389-714
- 04AZB512:** L-type SPC data cable (1 m) **£65.00**
 - 04AZB513:** L-type SPC data cable (2 m) **£68.00**
 - 959149:** SPC data cable with pushbutton* (1 m) **£34.60**
 - 959150:** SPC data cable with pushbutton* (2 m) **£39.40**

* May interfere with operating the thimble.



Range	L	a	b	c
0-25 mm	30.3	160	48	2.8
25-50 mm	55.3	165	45	2.5

